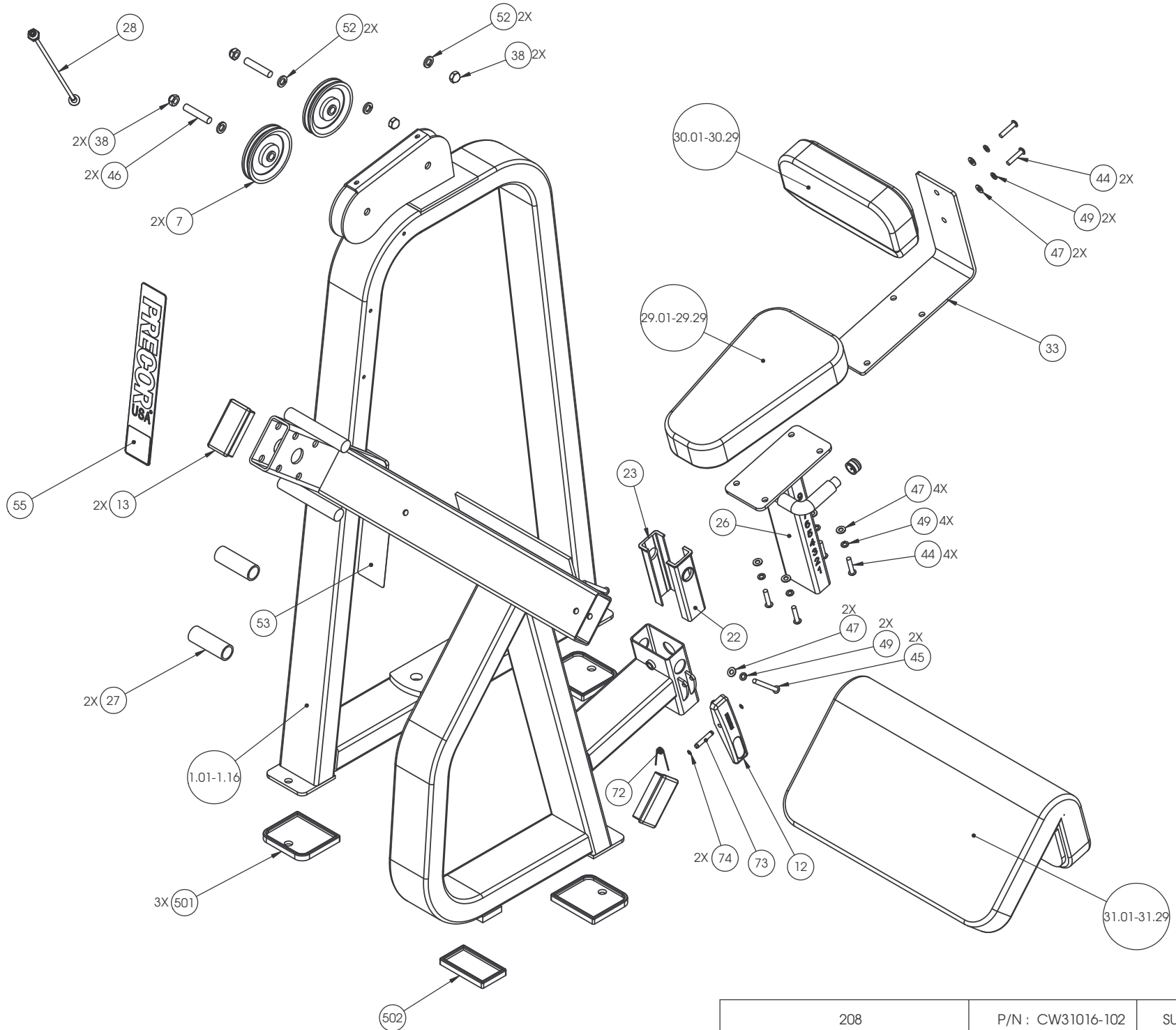
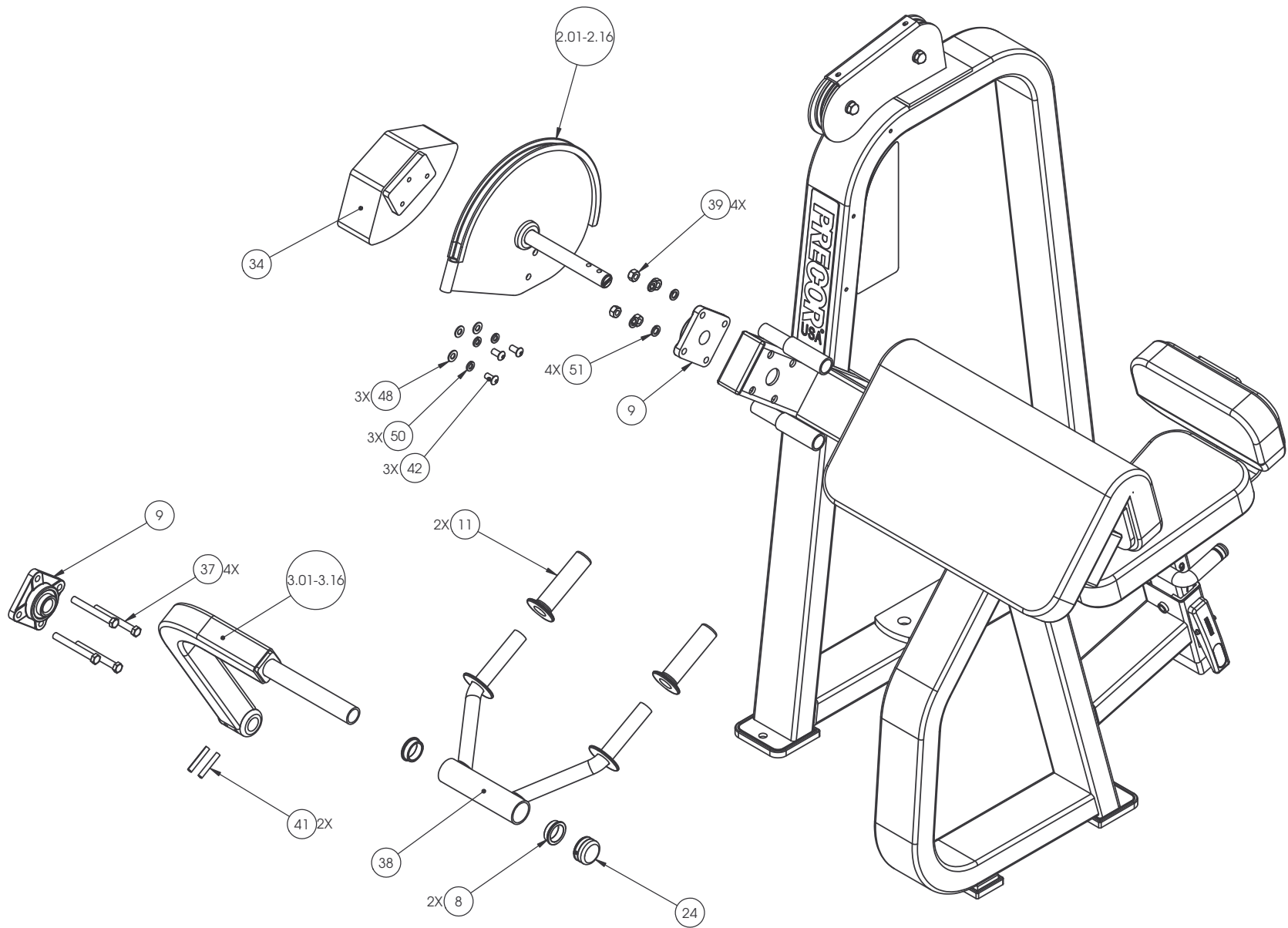


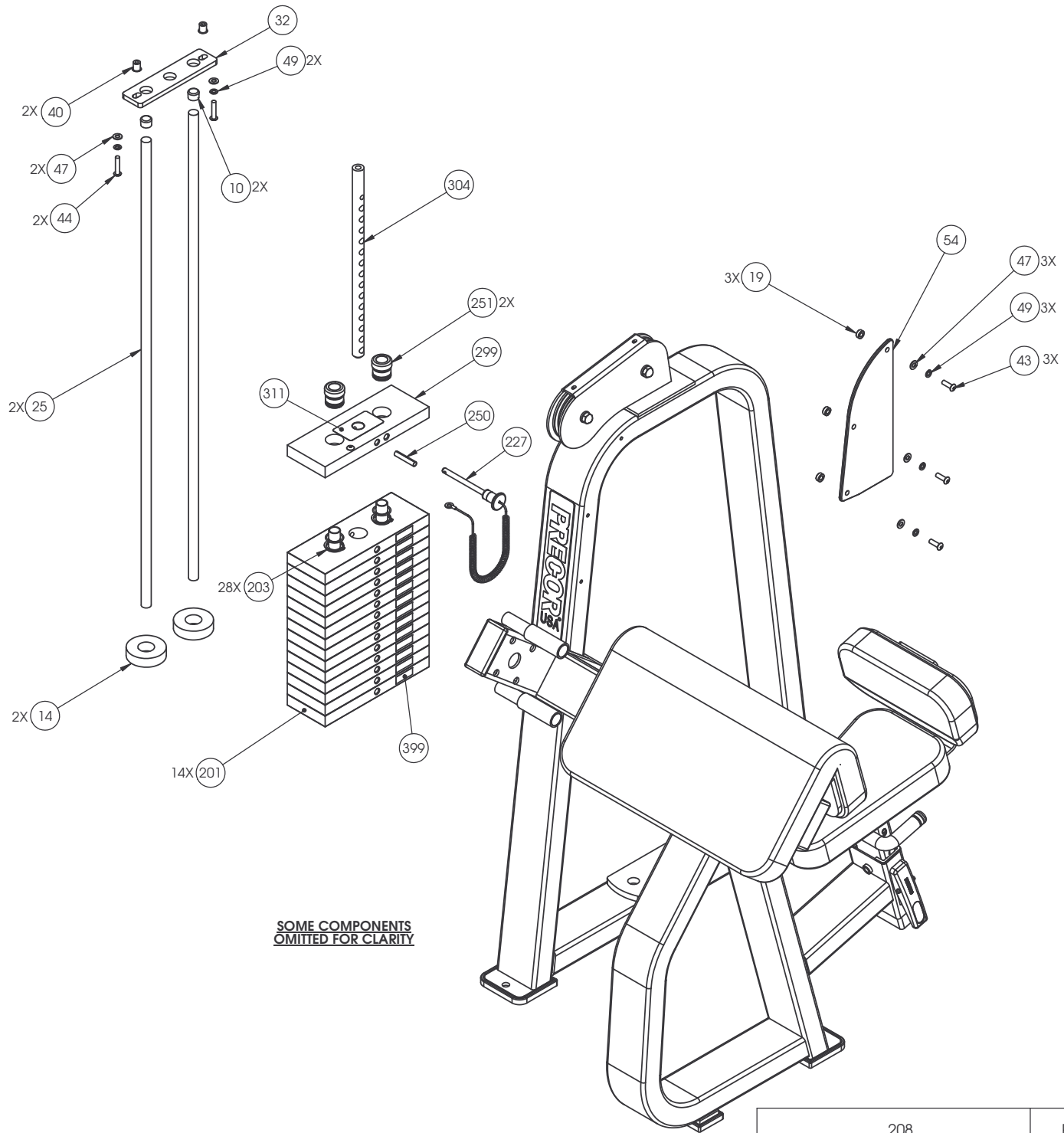
208	P/N : CW31016-102	SUBREV : B01
DRAWN BY : JEC	DATE : 10.12.07	SHEET 1 OF 4



208	P/N : CW31016-102	SUBREV : B01
DRAWN BY : JEC	DATE : 10.12.07	SHEET 2 OF 4



208	P/N : CW31016-102	SUBREV : B01
DRAWN BY : JEC	DATE : 10.12.07	SHEET 3 OF 4



**SOME COMPONENTS
OMITTED FOR CLARITY**

208	P/N : CW31016-102	SUBREV : B01
DRAWN BY : JEC	DATE : 10.12.07	SHEET 4 OF 4

208 Seated Tricep Extension

Part Number	Description	Bubble Number
CW208SA1-211	ASSY,FRAME,MAIN,208,SKY WHITE	1.01
CW208SA1-212	ASSY,FRAME,MAIN,208,SKY WHITE	1.01
CW208SA1-221	ASSY,FRAME,MAIN,208,BLACK	1.02
CW208SA1-231	ASSY,FRAME,MAIN,208,RED	1.03
CW208SA1-241	ASSY,FRAME,MAIN,208,PLATINUM SPRKLE	1.04
CW208SA1-251	ASSY,FRAME,MAIN,208,SILVER	1.05
CW208SA1-261	ASSY,FRAME,MAIN,208,BLUE	1.06
CW208SA1-271	ASSY,FRAME,MAIN,208,CHARCOAL	1.07
CW208SA1-281	ASSY,FRAME,MAIN,208,CATHEDRAL GRAY	1.08
CW208SA1-291	ASSY,FRAME,MAIN,208,SILVER VIEN	1.09
CW208SA1-321	ASSY,FRAME,MAIN,208,TITANIUM HG	1.12
CW208SA1-322	ASSY,FRAME,MAIN,208,TITANIUM HG	1.12
CW208SA1-331	ASSY,FRAME,MAIN,208,WHITE GLOSS	1.13
CW208SA1-341	ASSY,FRAME,MAIN,208,BLACK ONYX	1.14
CW208SA1-351	ASSY,FRAME,MAIN,208,LIGHT BRONZE	1.15
CW208SA1-361	ASSY,FRAME,MAIN,208,SAPPHIRE BLUE	1.16
CW208SA2-211	ASSY,CAM,208,SKY WHITE	2.01
CW208SA2-231	ASSY,CAM,208, RED	2.03
CW208SA2-241	ASSY,CAM,208, PLTAINUM SPRKL	2.04
CW208SA2-251	ASSY,CAM,208,SILVER	2.05
CW208SA2-261	ASSY,CAM,208,BLUE	2.06
CW208SA2-271	ASSY,CAM,208,CHARCOAL	2.07
CW208SA2-281	ASSY,CAM,208,CATHEDRAL GREY	2.08
CW208SA2-291	ASSY,CAM,208,SILVER VIEN	2.09
CW208SA2-321	ASSY,CAM,208,TITANIUM HG	2.12
CW208SA2-331	ASSY,CAM,208,WHITE GLOSS	2.13
CW208SA2-341	ASSY,CAM,208,BLACK ONYX	2.14
CW208SA3-211	ASSY, ARM, 208,SKY WHITE	3.01
CW208SA3-231	ASSY, ARM, 208,RED	3.03
CW208SA3-241	ASSY, ARM, 208,PLAT SPKLE	3.04
CW208SA3-251	ASSY, ARM, 208,SILVER	3.05
CW208SA3-261	ASSY, ARM, 208,BLUE	3.06
CW208SA3-271	ASSY, ARM, 208,CHARCOAL	3.07
CW208SA3-281	ASSY, ARM, 208,CATH GRY	3.08
CW208SA3-291	ASSY, ARM, 208,SILVER VIEN	3.09
CW208SA3-321	ASSY, ARM, 208,TITANIUM HG	3.12
CW208SA3-331	ASSY, ARM, 208, WHITE GLOSS	3.13
CW208SA3-341	ASSY, ARM, 208, BLACK ONYX	3.14
CWAC1001-101	LABEL, "ICARIAN", 1 1/2 X 8 1/8	5
CWAC1002-101	LABEL, "ICARIAN", 3 X 16 3/8	6
CWAC1009-101	PULLEY, 4 1/2 DIA X 1/2 ID	7
CW10043-135	BUSHING, BRONZE, 1 1/4" ID X 1 1/2"	8
CW12405-101	PILLOW BLOCK, BEARING, FLANGE, 4 BO	9
CW12404-101	CAP, GUIDE ROD,DIA 3/4, BLK	10
CWGR4204-500	GRIP,BMX, 1" DIA	11
CW32460-221	ASSY, RATCHETING LEVER, BLACK	12
CW11311-102	ENDCAP, REC TUBE, 2X4, BLK PLASTIC	13
CW12402-101	BUMPER, ID 1.050, BLK RUBBER	14
CW34822-101	LABEL, "ASSEMBLED IN THE USA"	15

CWAC1183-101	LABEL, WARNING, SERIOUS INJURY	17
CWAC1228-901	SPACER, ALU,.328 ID X .625 OD X .25	19
CW30007-101	PLACARD, CLEAR LEXAN, ANGLED	20
CWAC1232-101	LABEL, ROUND, "PIVOT"	21
CW33626-901	GUIDE, THIN, TELESCOPING TUBE	22
CW33626-902	GUIDE, THCK, TELESCOPING TUBE	23
CWAC221-901	SHAFT END CAP W/SET SCREWS, DIA 1 1	24
CWPF1212-711	GUIDE ROD, 3/4 X 42 5/8 (#4), CHM	25
CWGR4603-500	GRIP, RUBBER, 1.00" OD HANDLE, 3.50	27
CWCLGH065-250	ASSY, CABLE, 208	28
CWPF1016-732	BAR,,FLAT CR/HR, 3/8 X 2 X 8 1/4, 3	32
CWPF1338-721	BAR,STEEL, FLAT, 1/4 X 4 X (21) 1 B	33
CWHCYN044-375	SCREW, HEX HEAD, BLK XYLAN, 7/16-	37
CWSA1600-721	WELDMENT,TRICEP EXT FLAT HANDLE,WRK	38
CWKADLN050-081	NUT, ACORN, 1/2-13	38
CWKMYN044-038	NUT, HEX, UNC, 7/16-14, BLK XYLAN	39
CW12537-109	NUT,INSERT,THIN-NUT,LARGE FLANGE	40
CWLDNN031-200	SLOTTED PIN SPRING, DIA 5/16 X 2.00	41
CWTAYN038-075	SCREW, BUTTON HEAD, BLK XYLAN, 3/8	42
CWTAYN031-100	SCREW, BUTTON HEAD, BLK XYLAN, 5/16	43
CWTAYN031-150	SCREW, BUTTON HEAD, BLK XYLAN, 5/16	44
CWTAYN031-300	SCREW, BUTTON HEAD, BLK XYLAN, 5/16	45
CWBFNN050-250	STUD, 1/2-13 X 2 1/2	46
CWWBKN031-007	WASHER, FLAT, TYPE A, SAE, 5/16 ID	47
CWWBKN038-007	WASHER, FLAT, TYPE A, SAE, 3/8 ID	48
CWWALYN031-008	WASHER, SPLIT, 5/16 ID, BL	49
CWWALYN038-009	WASHER, SPLIT, 3/8 ID, BLK XYLAN	50
CWWALYN044-011	WASHER, SPLIT, 7/16 ID, BLK XYLAN	51
CWWALYN050-013	WASHER, SPLIT, 1/2 ID, BLK XYLAN	52
CW30136-101	ASSY, LABEL,INSTRUCTION,208	54
CW31756-101	LABEL, PRECOR USA ICARIAN LINE	55
CW31784-731	STOP PLUG, BLK ZN	56
CW12634-101	SPRING, TORSION 90 DEG X 0.484 X 0.	72
CW31770-742	LATCH PIVOTING PIN, CLR ZN	73
CWAMNN028-003	RING, RETAINING, 2-TURN, SPIRAL, SS	74
CWAC1133-101	BUSHING, WEIGHT PLATE, LDPE PLASTIC	203
CW33870-102	ASSEMBLY, 5" WEIGHT STACK PIN & LEA	227
CW12537-109	NUT,INSERT,THIN-NUT,LARGE FLANGE	400
CWPF3143-211	SHROUD,SHEET,STEEL,4 BENDS, SKY WHI	402.01
CWPF3143-231	SHROUD,SHEET,STEEL,3/32 THICK,4 BEN	402.03
CWPF3143-241	SHROUD,SHEET,STEEL,3/32 THICK,4 BEN	402.04
CWPF3143-251	SHROUD,SHEET,STEEL,3/32 THICK,4 BEN	402.05
CWPF3143-261	SHROUD,SHEET,STEEL,3/32 THICK,4 BEN	402.06
CWPF3143-271	SHROUD,SHEET,STEEL,3/32 THICK,4 BEN	402.07
CWPF3143-281	SHROUD,SHEET,STEEL,3/32 THICK,4 BEN	402.08
CWPF3143-291	SHROUD,SHEET,STEEL,3/32 THICK,4 BEN	402.09
CWPF3143-311	SHROUD,SHEET,STEEL,3/32 THICK,4 BEN	402.11
CWPF3143-321	SHROUD,SHEET,STEEL,4 BENDS, TITANIU	402.12
CWPF3143-331	SHROUD,SHEET,STEEL,3/32 THICK,4 BEN	402.13
CWPF3143-341	SHROUD,SHEET,STEEL,3/32 THICK,4 BEN	402.14
CWPF3144-721	SHROUD BRKT,PLATE,STEEL,1/8 THICK,1	403
CWPF3145-721	SHROUD BRKT,PLATE,STEEL,1/8 THICK,2	404

CWTAYN031-100	SCREW, BUTTON HEAD, BLK XYLAN, 5/16	405
CWWALYN031-008	WASHER, SPLIT, 5/16 ID, BL	406
CWWBKN031-007	WASHER, FLAT, TYPE A, SAE, 5/16 ID	407
CWAC1177-101	FLOOR PROTECTOR, RUBBER, 4.563 X 4.	501
CWAC1180-101	FLOOR PROTECTOR, RUBBER, 2.563 X 4.	502